



### 1LS1-L



*Actual product appearance may vary.*

**Enclosed Switches Series LS: Side Rotary with 1.5" Fixed Length Lever; Steel Roller; 1NC 1NO DPDT Snap Action, Double Break; 0.5 in - 14NPT conduit; Compact/Non-Plug-in**

#### Features

- Mode of operation is field adjustable
- NEMA 1, 3, 4, 6, and 13
- Wide choice of heads and actuators
- Variety of operating characteristics
- Captive screws
- UL and CSA approved parts available

#### Potential Applications

- Machine tools
- Conveyors
- Material handling
- Metal fabrication equipment
- Lift trucks

#### Description

MICRO SWITCH™ compact LS and plug-in 200LS limit switches have a long record of successful performance in industrial applications. The MICRO SWITCH™ LS fits in many places too small for any other fully adjustable limit switch. The MICRO SWITCH™ 200LS switches are the original plug-in concept for reducing downtime by making changeover simple and fast.

Product Specifications	
Availability	Global
Operating Force (O.F.)	0.51 N m max. [4.5 in lb max.]
Full Overtravel Force	8.13 N m max. [6 in lb max.]
Release Force (R.F.)	0.08 N m min. [0.75 in lb min.]
Pretravel (P.T.)	20° max.
Overtravel (O.T.)	30° min.
Differential Travel (D.T.)	12° max.
Product Type	MICRO SWITCH™ Compact Limit Switches
Actuator	Side Rotary
Lever Style	1.5 in Fixed Length Lever with front mounted Steel Roller (.75 in dia. x .25 in wide)

Circuitry	1NC 1NO SPDT Snap Action, Double-Break
Ampere Rating	10 A Ind./0.8 A Res./0.4 Res.
Supply Voltage	125 Vac. 250 Vac. 480 Vac/125 Vdc/250 Vdc
Housing Material	Zinc Die-Cast
Termination Type	0.5 in - 14NPT conduit
Housing Type	Compact / Non Plug-In
Series Name	LS
Sealing	NEMA 1, 3, 4, 6, 13
Approvals	UL Recognized, CSA Certified
CSA File #	LR57325
UL File #	E12252
Operating Temperature Range	-29 °C to 71 °C [-20 °F to 160 °F]
Comment	UL Recognized, CSA Certified
UNSPSC Code	302119
UNSPSC Commodity	302119 Switches and controls and relays
Sealed	Industrial

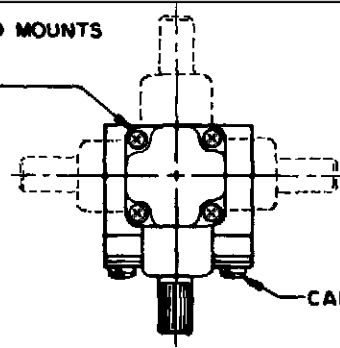
**MICRO SWITCH**  
a Honeywell Division

FED. MFG. CODE 91929

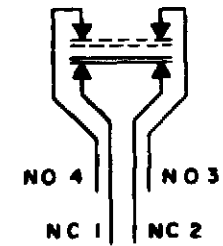
SWITCH-ENCLOSED

CATALOG LISTING  
1LS1-L

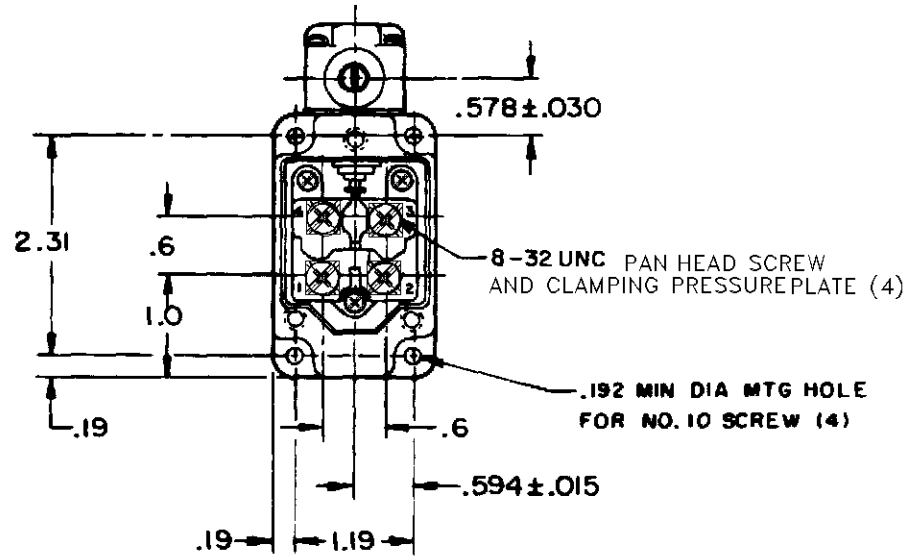
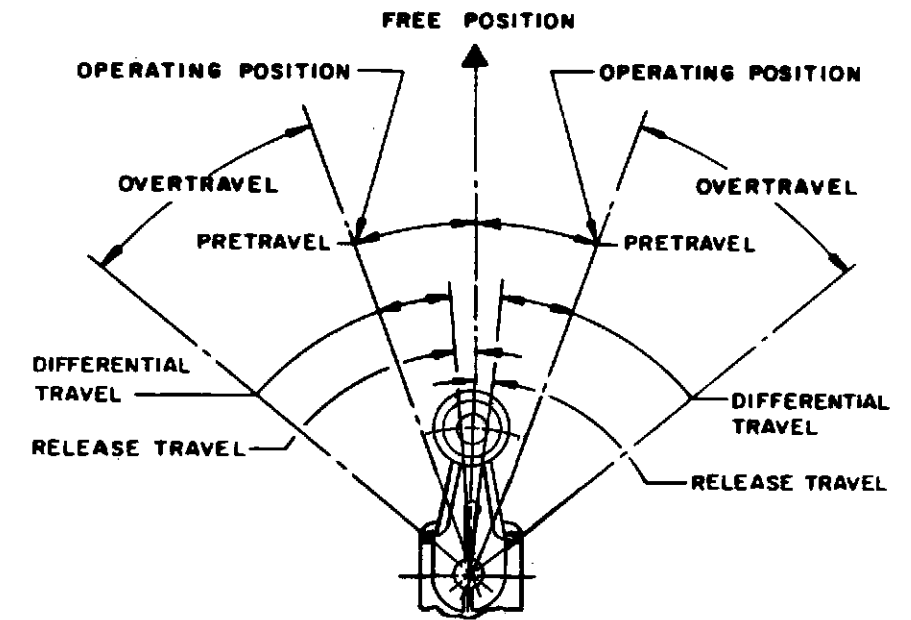
OPERATING HEAD MOUNTS  
IN ANY OF FOUR  
POSITIONS



CAPTIVE COVER SCREW (3)

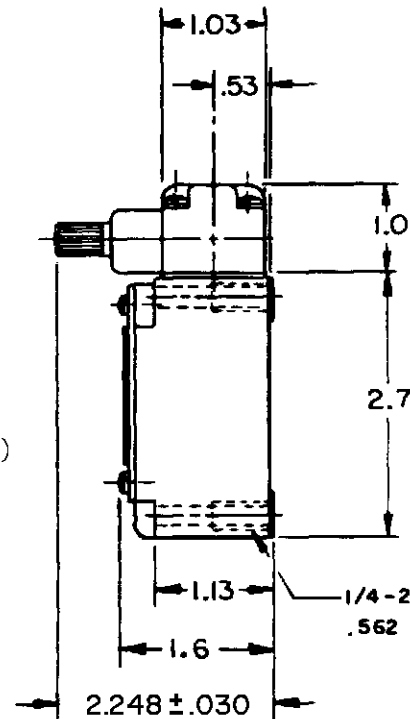


CIRCUIT DIAGRAM



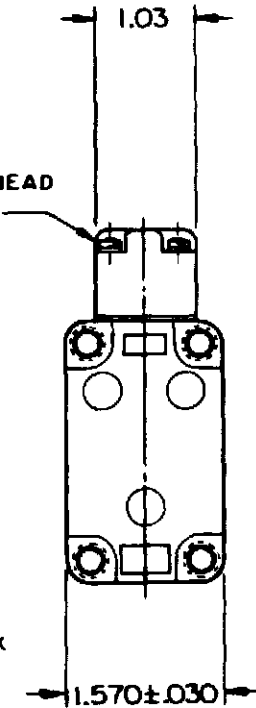
8-32 UNC PAN HEAD SCREW  
AND CLAMPING PRESSURE PLATE (4)

.192 MIN DIA MTG HOLE  
FOR NO. 10 SCREW (4)



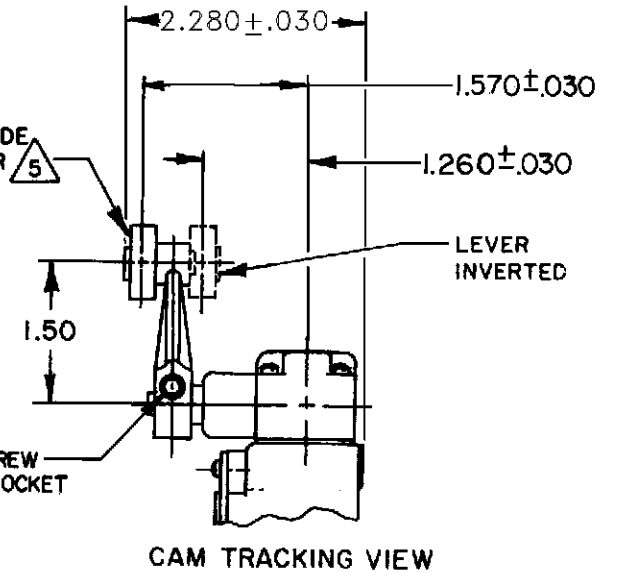
CAPTIVE HEAD  
SCREW (4)

1/4-20 UNC MOD THREAD X  
.562 MIN DEPTH (4)

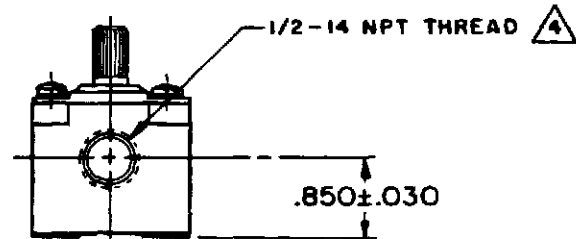


.75 DIA. X .25 WIDE  
STEEL ROLLER <sup>5</sup>

LEVER ADJUSTING SCREW  
WITH .156 REF HEX SOCKET



CAM TRACKING VIEW

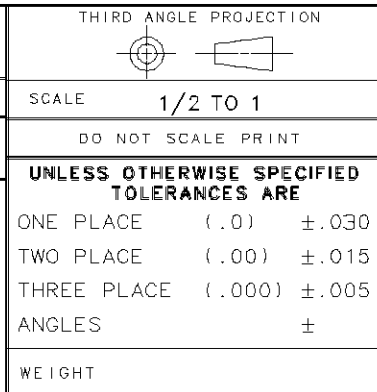


CATALOG LISTING  
1LS1-L  
PAGE 1 OF 1  
REPLACES  
RELEASE NO.  
CHECK  
REVISIONS  
A CO-76997 GJW 28 MAR 95  
B CO-95463-B  
C 200178 S.A.V 3 APR 00  
CHECK  
5 MAY 95  
JAF  
CHECK  
28 MAR 95  
GJW  
DRAWN  
FORMTEK

THIS DRAWING COVERS A PROPRIETARY ITEM AND IS THE PROPERTY OF MICRO SWITCH, A DIVISION OF HONEYWELL. THIS DRAWING IS NOT TO BE COPIED OR USED WITHOUT THE APPROVAL OF MICRO SWITCH

CHARACTERISTICS	ELECTRICAL DATA
OPERATING TORQUE -----4.5 IN-LB	CONTACT ARRANGEMENT (SEE CIRCUIT DIAGRAM)
FULL OVERTRAVEL TORQUE -----6 IN-LB	L126 10A 125, 250 OR 480 VAC
RELEASE TORQUE -----.75 IN-LB	1/3HP 125 VAC, 3/4HP 250 VAC
PRETRAVEL -----20° MAX	0.8A 125 VDC, 0.4A 250 VDC
DIFFERENTIAL TRAVEL -----12° MAX	
OVERTRAVEL -----30° MIN	
RELEASE TRAVEL -----5° MIN	
SWITCH-BASIC REPLACEMENT -----2MN1-L	

SCALE	1/2 TO 1
DO NOT SCALE PRINT	
UNLESS OTHERWISE SPECIFIED TOLERANCES ARE	
ONE PLACE (.0) ±.030	
TWO PLACE (.00) ±.015	
THREE PLACE (.000) ±.005	
ANGLES ±	
WEIGHT	



- NOTES
- SWITCH IS ASSEMBLED FOR ACTUATION IN BOTH DIRECTIONS BUT MAY BE ADJUSTED TO ACTUATE IN EITHER THE CLOCKWISE DIRECTION ONLY OR THE COUNTERCLOCKWISE DIRECTION ONLY
  - TO CONVERT SWITCH FOR ACTUATION IN EITHER THE CLOCKWISE OR COUNTERCLOCKWISE DIRECTION ONLY, REMOVE ACTUATOR HEAD AND ROTATE THE NOTCHED PLUNGER 90° TO THE RIGHT FOR CLOCKWISE ACTUATION OR 90° TO THE LEFT FOR COUNTERCLOCKWISE ACTUATION
  - SEAL TO BE FURNISHED BY USER
  - ROLLER LEVER MAY BE LOCKED IN ANY POSITION THRU 360°
  - LEVER FURNISHED UNASSEMBLED IN UNIT PACKING BOX